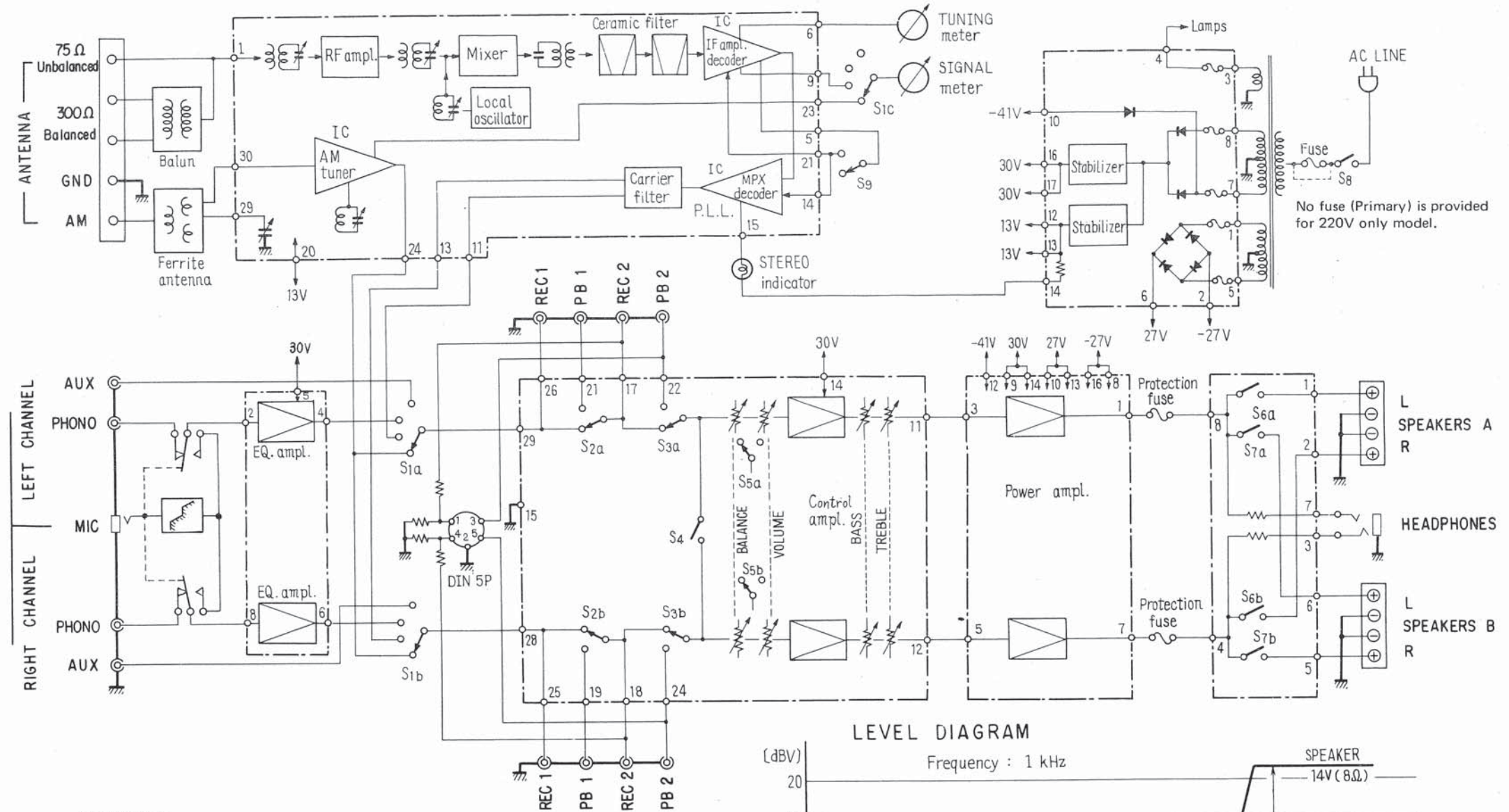


### 5. BLOCK DIAGRAM AND LEVEL DIAGRAM



**SWITCHES**

- |    |                |    |            |
|----|----------------|----|------------|
| S1 | FUNCTION       | S5 | LOUDNESS   |
| 1. | AM             | S6 | SPEAKERS A |
| 2. | FM             | S7 | SPEAKERS B |
| 3. | PHONO/MIC      | S8 | POWER SW   |
| 4. | AUX            | S9 | FM MUTING  |
| S2 | TAPE MONITOR 1 |    |            |
| S3 | TAPE MONITOR 2 |    |            |
| S4 | MODE           |    |            |
|    | STEREO ↔ MONO  |    |            |

**LEVEL DIAGRAM**

